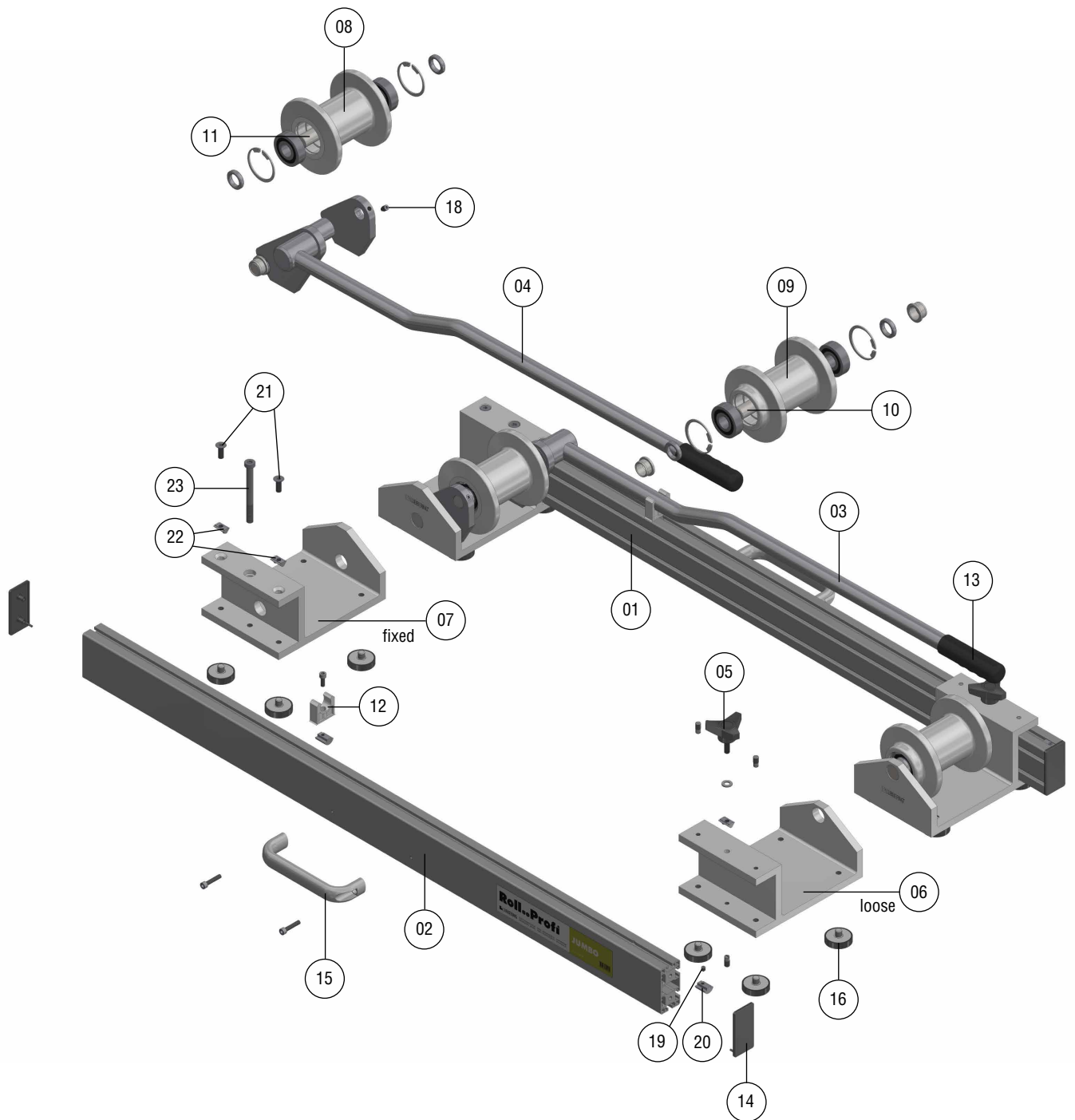


SPARE PARTS LIST
ORDER NO.: A90102



SPARE PARTS LIST
ORDER NO.: A90102

POSITION	DESCRIPTION	ORDER NO.	
01	Guide right	A9010204	PG 2.1
02	Guide left	A9010236	PG 2.1
03	Lever, left	A9010202	PG 2.1
04	Lever, right	A9010201	PG 2.1
05	Adjusting screw M8x25	A9010203	PG 2.1
06	Roller bock free	A9010240	PG 2.1
07	Roller bock fixed	A9010241	PG 2.1
08	Castor Ø120 indexing complete JUMBO	A9010239	PG 2.1
09	Castor Ø120 fix complete JUMBO	A9010237	PG 2.1
10	Axle 20x175	A9010209	PG 2.1
11	Axle 20x144	A9010210	PG 2.1
12	Holder JUMBO	A9010214	PG 2.1
13	Handle Ø25 L115	A9010217	PG 2.1
14	Cover	A9010231	PG 2.1
15	Handle incl. 2 pcs. cap screw	A9010226	PG 2.1
16	Rubber foot M10x10 Ø = 40 H = 10	A9010242	PG 2.1
18	Grub screw M8x12	A9010227	PG 2.1
19	Grub screw M6x8	A9010232	PG 2.1
20	Slot nut M6	A9010221	PG 2.1
21	Countersunk screw (12 pcs.) M8x22	A9010233	PG 2.1
22	Slot nut M8	A9010222	PG 2.1
23	Cap screw M10x100	A9010219	PG 2.1