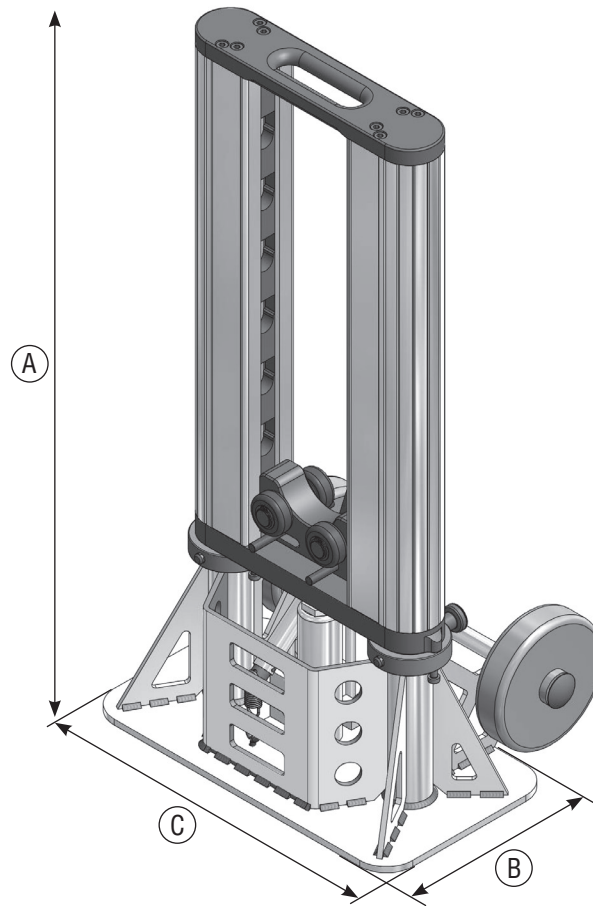


PRODUCT DATA

ORDER NO.: A90112



TECHNICAL DATA

Max. load	4,000 kg
Max. drum \varnothing	1,600 mm
Min. drum \varnothing	650 mm
A) Height	863 mm
B) Depth	358 mm
C) Width	450 mm
Length of drum axle	1,500 mm
Max. drum width	1,000 mm
Weight per site	40 kg

ORDER NO.

MINILIFT Set: A90112

- two side parts
- one drum axle 1,500 mm
- one Set centering cones \varnothing 95 mm

ACCESSORIES

Drum axle 1,850 mm	A9012060
Set centering cones \varnothing 140 mm	A9012083