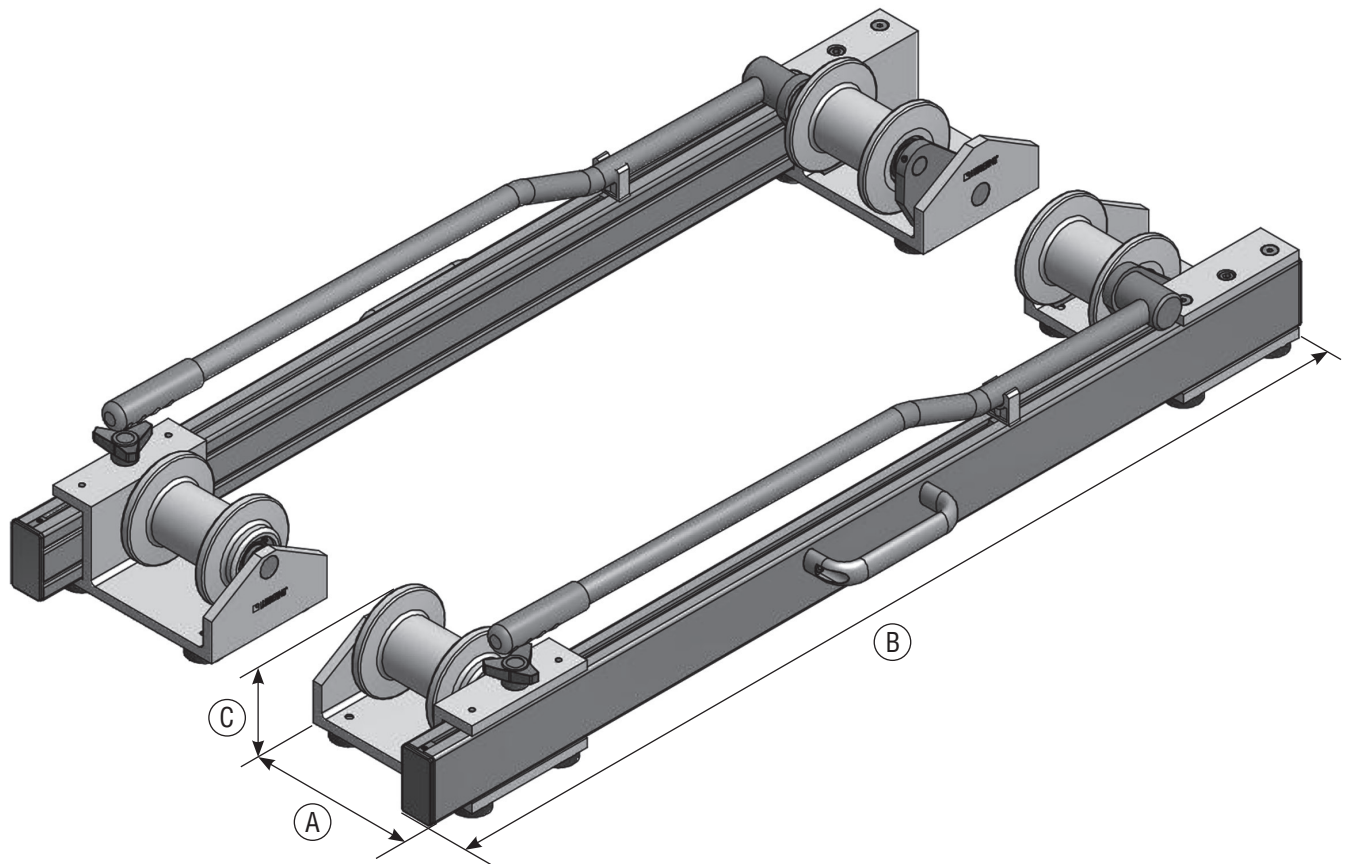


## PRODUCT DATA

ORDER NO.: A90102



### TECHNICAL DATA

Load-bearing capacity	1,500 kg
Max. uncoiling weight of wooden drums*	700 kg
Drum Ø	min. 500 mm max. 1,800 mm
A) Width	277 mm
B) Length	1,206 mm
C) Height	195 mm
Weight per element	17 kg

### ORDER NO.

JUMBO	A90102
-------	--------

\*Due to the condition of the wooden drum, which is very poor in places, we would like to remind you that the uncoiling weight of 700 kg should not be exceeded.